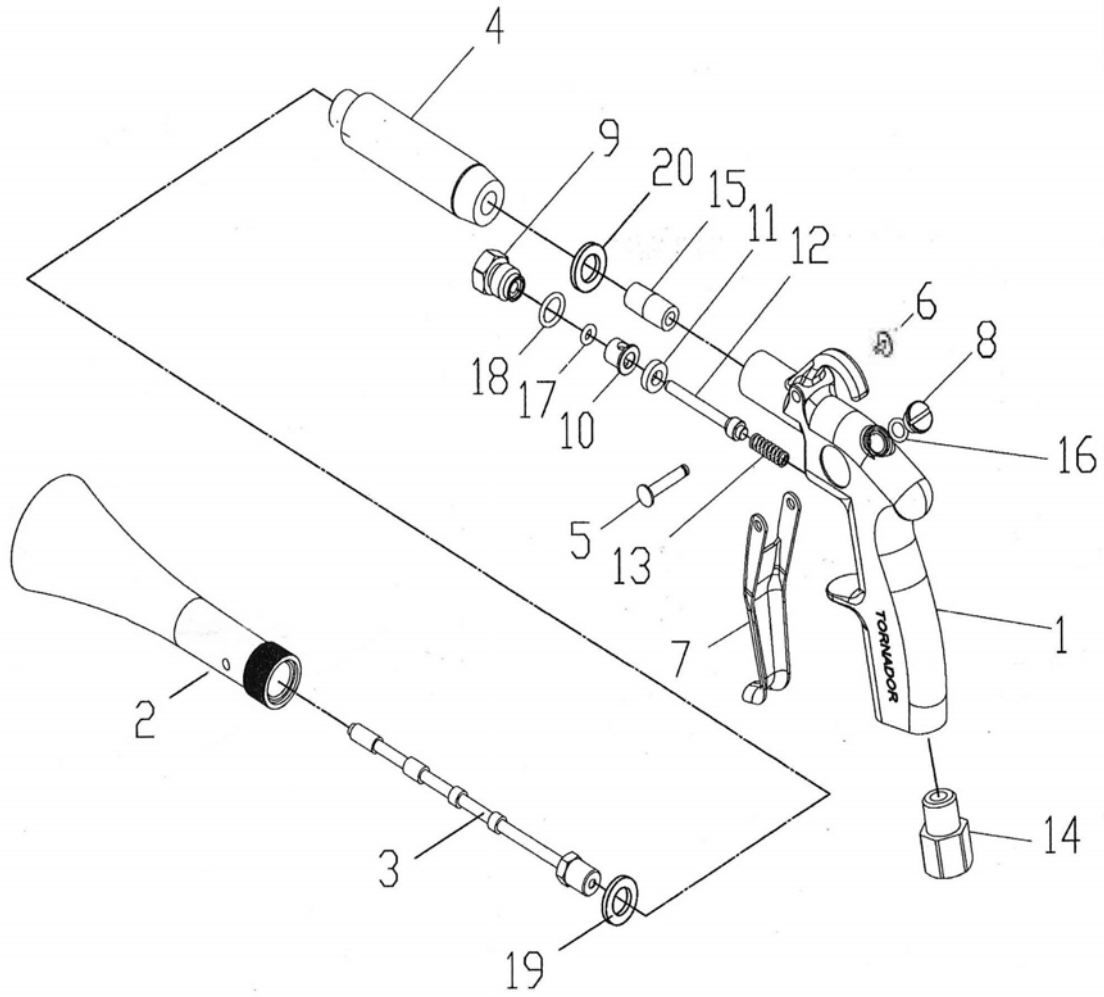




Z-014 Tornador Cleaning Gun



Ref. No.	Part No.	Description	Ref. No.	Part No.	Description
1	SPZ010001	Housing	13	SPZ010015	Spring 0.7x4.5x5.9x28L
2	SPZ010002	Nozzle	14	SPZ010024A	Air Inlet (1/4" PF)
3	SPZ010005	Weighted Tube Ass'y	15	SPZ010025	Screw
4	SPZ014004	Hose	16	SPZ010026	O-Ring 5.5x1.5
5	SPZ010007A	Trigger Pin	17	SPZ010027	O-Ring 3.8x1.9
6	SPZ010008A	Screw	18	SPZ010028	O-Ring 9.3x1.78
7	SPZ010009	Trigger	19	SPZ010029	Gasket 14.5x20x2T
8	SPZ010010	Screw	20	SPZ010030	Gasket 10x16.5x2T
9	SPZ010011	Screw			
10	SPZ010012	Bushing			
11	SPZ010013	Gasket			
12	SPZ010014	Valve Stem			